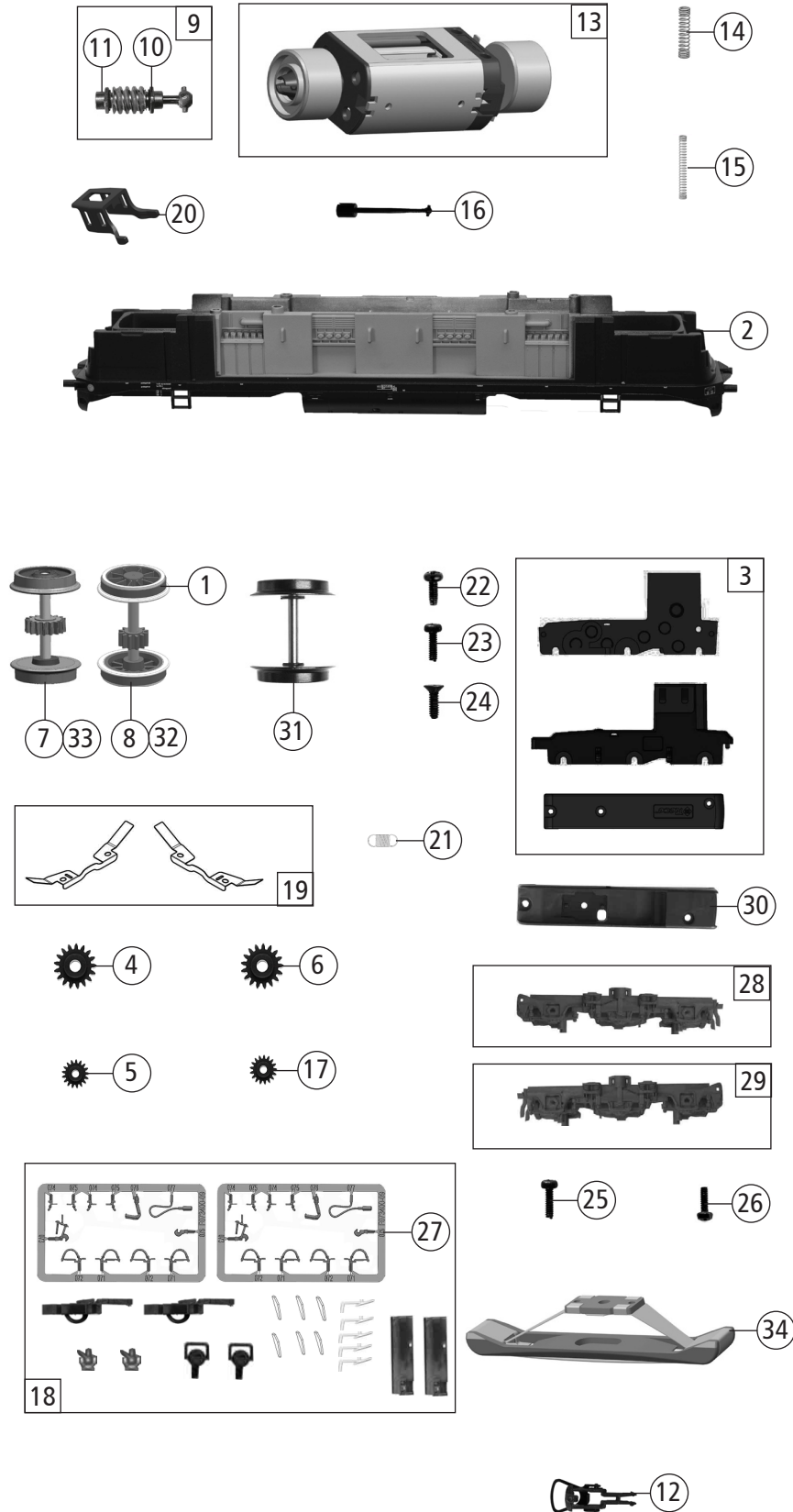


| Pos. Nr. Pos.no. | Beschreibung Description | Art.-Nr. Art.no. | Preisgruppe Price bracket |
|---------------------|--|---------------------|------------------------------|
| 73890 | DR V 180 | = | |
| 73891 | | = | 🔊 |
| 79891 | | ~ | 🔊 |
| 1 | Gehäuse kpl. V180 013 Body ass. V180 013 | 142556 | 37 |
| 2 | TS - Fenster Part set windows | 142462 | 12 |
| 3 | Linse Lenses | 142463 | 5 |
| 4 | TS - Scheinwerfer+Lichtleiter Part set - headlight+light conductor | 142464 | 11 |
| 5 | TS-Bremsbacken,Kinematik Part set - Brake shoes,kinematics | 142548 | 11 |
| 6 | TS - Griffe Part set - hand-rail | 142467 | 8 |
| 7 | TS - Wischer + Stirngriffe Part set - wipers + roof hand-rails | 142558 | 6 |
| 8 | TS - Blendteile Part set - blinds | 142549 | 10 |
| 9 | TS - Führerstand/Lichtabd. Part set - drivers cab/light cover | 142484 | 11 |
| 10 | Maschinenraumfenster Engine room window | 142557 | 10 |
| 11 | Puffergriff li. + re. Buffer grip left + right | 142474 | 8 |
| 12 | Puffer rund gewölbt Buffer curve round | 88503 | 5 |
| 13 | Lokführer Loco driver | 115098 | 6 |
| 14 | Türgriffstange Door hand-rail | 142489 | 3 |
| 15 | Tafelsatz Set of panels | 142560 | 12 |
| 16 | Platine kpl. m. LED-Platinen Printed circuit ass. w. LED printedcircuit | 142482 | 25 |
| 17 | Brückenstecker - Plux16 Connector - Plux16 | 133241 | 10 |
| 18 | GF-Schraube M1,6X6 mm Self-tapping screw M1,6x6 mm | 114836 | 3 |
| 19 | GF - Schraube M1,6x4 mm Self-tapping screw M1,6x4 | 114850 | 3 |
| 20 | SK-Schraube M1,6x4 mm SK-Screw M1,6x4 mm | 115161 | 3 |
| Sound | | | |
| 21 | Platine kpl. m. LED-Platinen Printed circuit ass. w. LED printedcircuit | 142495 | 26 |
| 22 | Sound-Steckdecoder - 22Plux ZIMO Sounddecoder | 129000 | 39 |
| 23 | Lautsprecher Loud speaker | 129524 | 14 |

Änderungen in Konstruktion und Ausführung vorbehalten
We reserve the right to change the construction and specification



| Pos. Nr. Pos.no. | Beschreibung Description | Art.-Nr. Art.no. | Preisgruppe Price bracket |
|------------------------|--|---------------------|------------------------------|
| 73890 | DR V 180 | = | |
| 73891 | | = | 🔊 |
| 79891 | | ~ | 🔊 |
| 1 | Haftringsatz 10Stk. 10,3-12,8mm Set with traction tyres 10 pieces | 40069 | --- |
| 2 | Grundrahmen Main frame | 142547 | 24 |
| 3 | Getriebebesatz 3tlg. Gear bottom 3 parts set | 142553 | 13 |
| 4 | Schneckenzahnrad Worm gear | 86490 | 5 |
| 5 | Zahnrad Z=14 Gear wheel Z=14 | 111115 | 3 |
| 6 | Zahnrad Z=17 Gear wheel Z=17 | 86418 | 5 |
| 7 | Radsatz m. Zahnrad o. Haftring Wheelset w.gear wheel w/o. tract. tyres | 142554 | 11 |
| 8 | Radsatz mit Zahnrad mit 2 Haftringen Wheelset w. gear wheel w.2 tract.tyres | 142555 | 12 |
| 9 | Schneckensatz mit Kardankugel Set of worm gear incl.cardan ball | 142481 | 10 |
| 10 | Beilagscheibe Washer | 86108 | 3 |
| 11 | Lager für Schneckenachse Bearing for worm gear axle | 89749 | 6 |
| 12 | Standardkupplung Standard coupling | 89246 | 6 |
| 13 | Motor Motor | 136206 | 28 |
| 14 | Kontaktfeder D=2,4x11,6 mm Contact spring D=2,4x11,6 mm | 116876 | 3 |
| 15 | Motorkontaktfeder Motor contact spring | 136207 | 6 |
| 16 | Kardanwelle Cardan shaft | 107738 | 4 |
| 17 | Zahnrad Z=23 Gear wheel Z=23 | 111679 | 3 |
| 18 | Zurüstbeutel Bag of accessories | 142559 | 12 |
| 19 | Radkontakte l+r Wheel contact l+r | 142552 | 10 |
| 20 | Schneckendeckel Worm gear cover | 137595 | 6 |
| 21 | Zugfeder - 2,5x5,8x0,15mm Spring - 2,5x5,8x0,15mm | 86208 | 3 |
| 22 | GF-Schraube M2x5 mm Self-tapping screw M2x5 mm | 114966 | 3 |
| 23 | GF-Schraube M1,6x4 mm Self-tapping screw M1,6x4 mm | 114850 | 3 |
| 24 | SK-Schraube M1,6x4 mm SK-Screw M1,6x4 mm | 115161 | 3 |
| 25 | BL - Schraube M2,2x13mm Tapping screw M2,2x13mm | 96532 | 4 |
| 26 | GF-Schraube M1,6x5 mm Self-tapping screw M1,6x5 mm | 115269 | 3 |
| 27 | TS - Bremschläuche + Zughaken Part set - brake tubes + coupling hooks | 139832 | 7 |
| 28 | Blende 1 kpl. Blind 1 complete | 142550 | 18 |
| 29 | Blende 2 kpl. Blind 2 complete | 142551 | 18 |
| AC-Wechselstrom | | | |
| 30 | Getriebeboden AC Gear bottom AC | 142505 | 8 |
| 31 | Radsatz o. Haftr. o. Zahnr. AC Wheelset w/o traction tyre w/o gear wheel AC | 142506 | 10 |
| 32 | Radsatz m. Haftringen m.Zahnrad AC Wheelset w. traction tyres w.gear wheel AC | 142507 | 12 |
| 33 | Radsatz m. Zahnr. o. Haftr. AC Wheelset w.gear wheel w/o traction tyre AC | 142508 | 11 |
| 34 | Schleifer 46mm o. Halteklammer Center pick-up 46 mm | 86031 | 14 |

Ersatzteile erhalten Sie direkt unter www.roco.cc, bei Ihrem Fachhändler oder Ihrer Landesvertretung:
Spare parts can be ordered directly at www.roco.cc and from your local dealer or country representative.